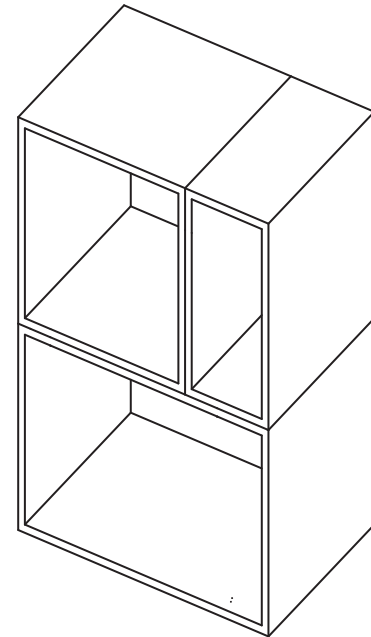


Box Shelving

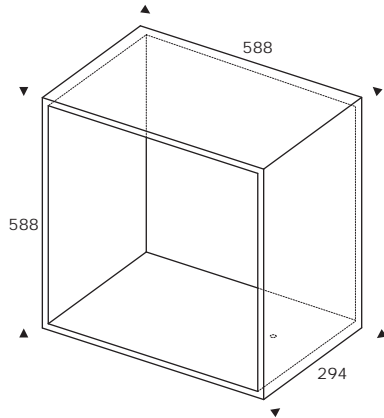
www.powertomake.com.au

Designed and made in Melbourne, Australia
FSC certified plywood, 100% natural wood wax.
Online Shop: www.powertomake.com.au

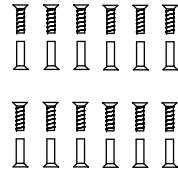


POWER TO MAKE

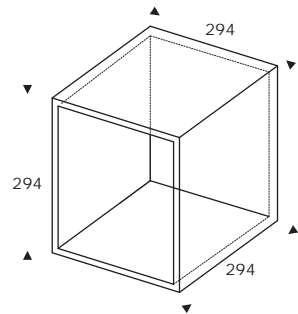
Box Shelving (Square)



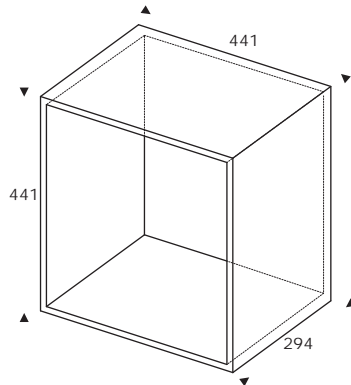
Large Box
(588H x 588W x 294D)



Pocket Fixings



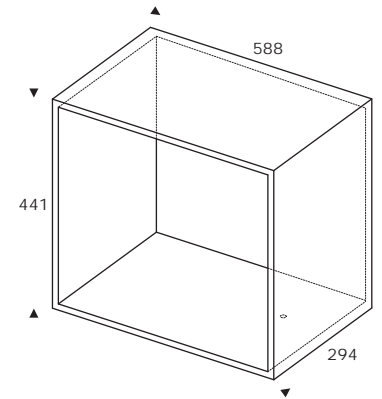
Small Box
(294H x 294W x 294D)



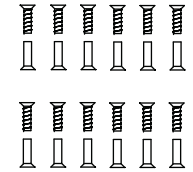
Medium Box
(441H x 441W x 294D)

Made from 12mm thick furniture grade Birch plywood, less 24mm for internal dimension. All dimensions in millimetres.

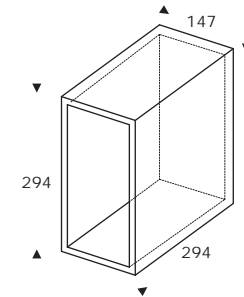
Box Shelving (Rectangular)



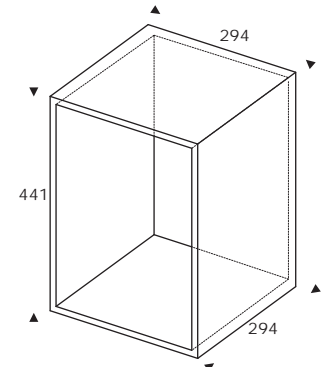
Large Box
(588H x 441W x 294D)



Pocket Fixings



Small Box
(294H x 147W x 294D)



Medium Box
(441H x 294W x 294D)

Boxes sold individually or as a set; refer to website for pricing details: www.powertomake.com.au